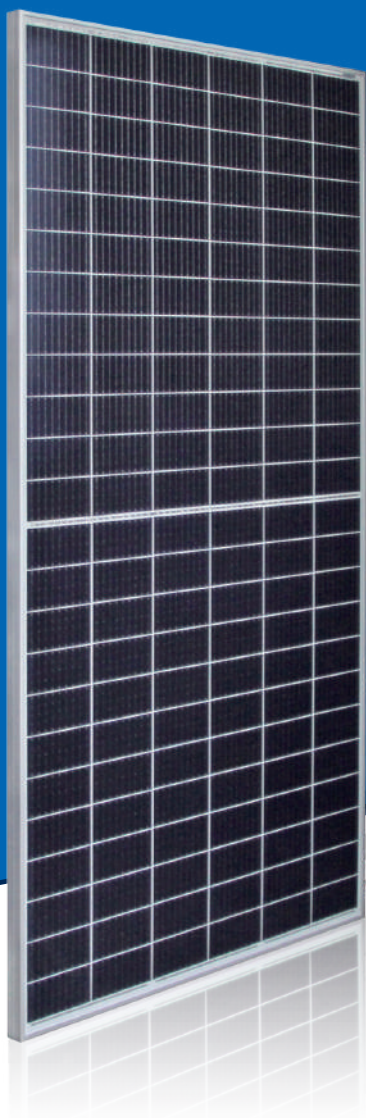


AstroSemi™

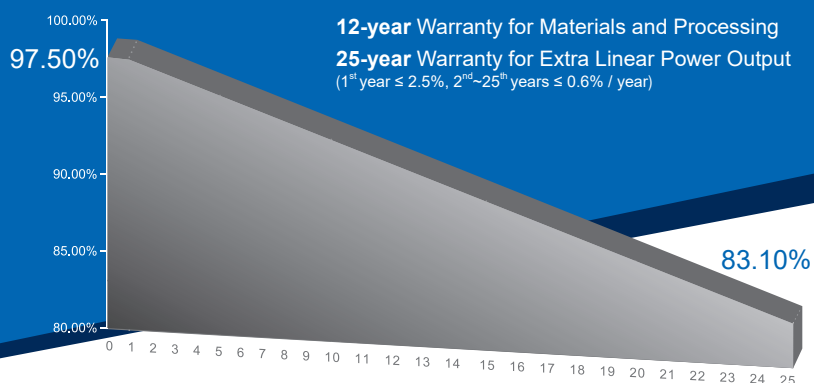
Incredible Power for Small Body



400W~410W

Monocrystalline PV Module

CHSM72M-HC Series (158.75)



KEY FEATURES

- +5W OUTPUT POSITIVE TOLERANCE**
Guaranteed 0~+5W positive tolerance ensures power output reliability.
- INNOVATIONAL HALF-CELL TECHNOLOGY**
Improves the module output, decreases the risk of micro-crack, enhances the module reliability.
- INNOVATIVE PERC CELL TECHNOLOGY**
Excellent cell efficiency and output.
- REDUCE SHADOW LOSS**
Effectively reduces the effect of shadow on the module surface.
- REDUCE INTERNAL MISMATCH LOSS**
Reduces mismatch loss and improves output.
- PASSED HAIL TEST**
Certified to hail resistance: ice ball size (d=45mm) and ice ball velocity (v=30.7m/s).
- Anti PID PID RESISTANCE**
Excellent PID resistance at 96 hours (@85°C /85%) test, and also can be improved to meet higher standards for the particularly harsh environment.

COMPREHENSIVE CERTIFICATES



First solar company which passed the TUV Nord IEC/TS 62941 certification audit.

For Global Market



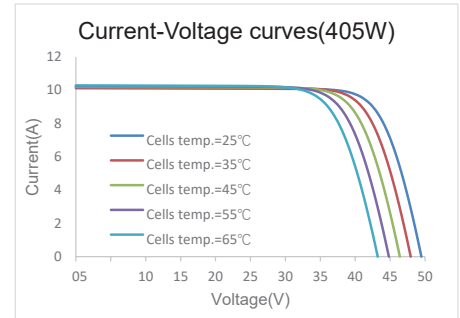
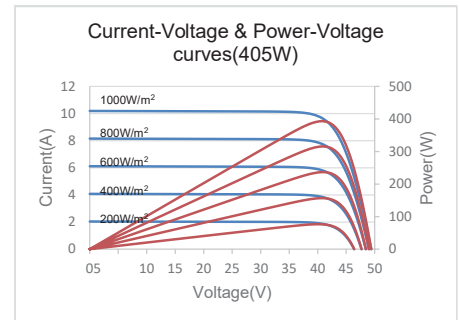
ASTRONERGY
A CHNT COMPANY

ELECTRICAL SPECIFICATIONS

STC rated output (P_{mpp})*	400 Wp	405 Wp	410 Wp
Rated voltage (V_{mpp}) at STC	41.32 V	41.59 V	41.85 V
Rated current (I_{mpp}) at STC	9.68 A	9.74 A	9.80 A
Open circuit voltage (V_{oc}) at STC	49.25 V	49.53 V	49.80 V
Short circuit current (I_{sc}) at STC	10.24 A	10.31 A	10.38 A
Module efficiency	19.8%	20.0%	20.3%
Rated output (P_{mpp}) at NMOT	297.4 Wp	301.1 Wp	304.8 Wp
Rated voltage (V_{mpp}) at NMOT	38.37 V	38.61 V	38.84 V
Rated current (I_{mpp}) at NMOT	7.75 A	7.80 A	7.85 A
Open circuit voltage (V_{oc}) at NMOT	46.12 V	46.38 V	46.64 V
Short circuit current (I_{sc}) at NMOT	8.25 A	8.31 A	8.36 A
Temperature coefficient (P_{mpp})	- 0.3528%/°C		
Temperature coefficient (I_{sc})	+0.0400%/°C		
Temperature coefficient (V_{oc})	- 0.2769%/°C		
Nominal module operating temperature (NMOT)	44±2°C		
Maximum system voltage (IEC/UL)	1500V _{DC}		
Number of diodes	3		
Junction box IP rating	IP 67		
Maximum series fuse rating	20 A		

STC: Irradiance 1000W/m², Cell Temperature 25°C, AM=1.5
 NMOT: Irradiance 800W/m², Ambient Temperature 20°C, AM=1.5, Wind Speed 1m/s

CURVE



MECHANICAL SPECIFICATIONS

Outer dimensions (L x W x H)	2018 x 1002 x 40 mm 79.45 x 39.45 x 1.57 in
Frame technology	Aluminum, silver anodized
Module composition	Glass / EVA / Backsheet (white)
Front glass thickness	3.2 mm / 0.13 in
Cable length (IEC/UL)	Portrait: 350 mm (13.78 in) Landscape: 1200 mm (47.24 in)
Cable diameter (IEC/UL)	4 mm ² / 12 AWG
① Maximum mechanical test load	5400 Pa (front) / 2400 Pa (back)
Fire performance (IEC/UL)	Class C (IEC) or Type 1 (UL)
Connector type (IEC/UL)	MC4 compatible

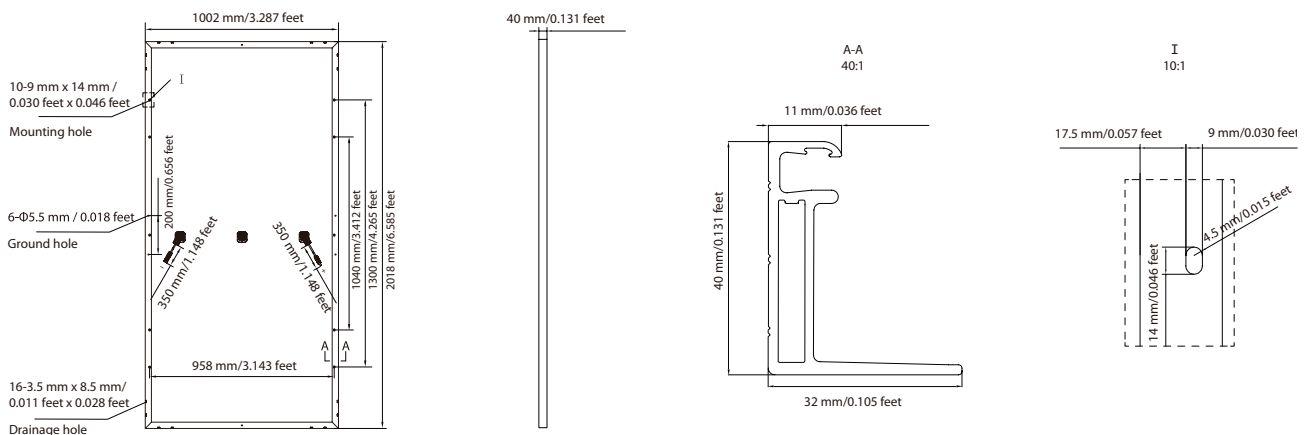
① Refer to Astronergy crystalline installation manual or contact technical department.
 Maximum Mechanical Test Load=1.5×Maximum Mechanical Design Load.

PACKING SPECIFICATIONS

① Weight (module only)	22.8 kg / 50.27 lbs
② Packing unit	27 pcs / box
Weight of packing unit (for 40'HQ container)	663 kg / 1462 lbs
Number of modules per 40'HQ container	594 pcs

① Tolerance +/- 1.0kg
 ② Subject to sales contract

MODULE DIMENSION DETAILS



© Chint Solar (Zhejiang) Co., Ltd. Reserves the right of final interpretation. please contact our company to use the latest version for contract.